



# Modular Cooking Range Line 900XP 2 Drawer Refrigerated Base

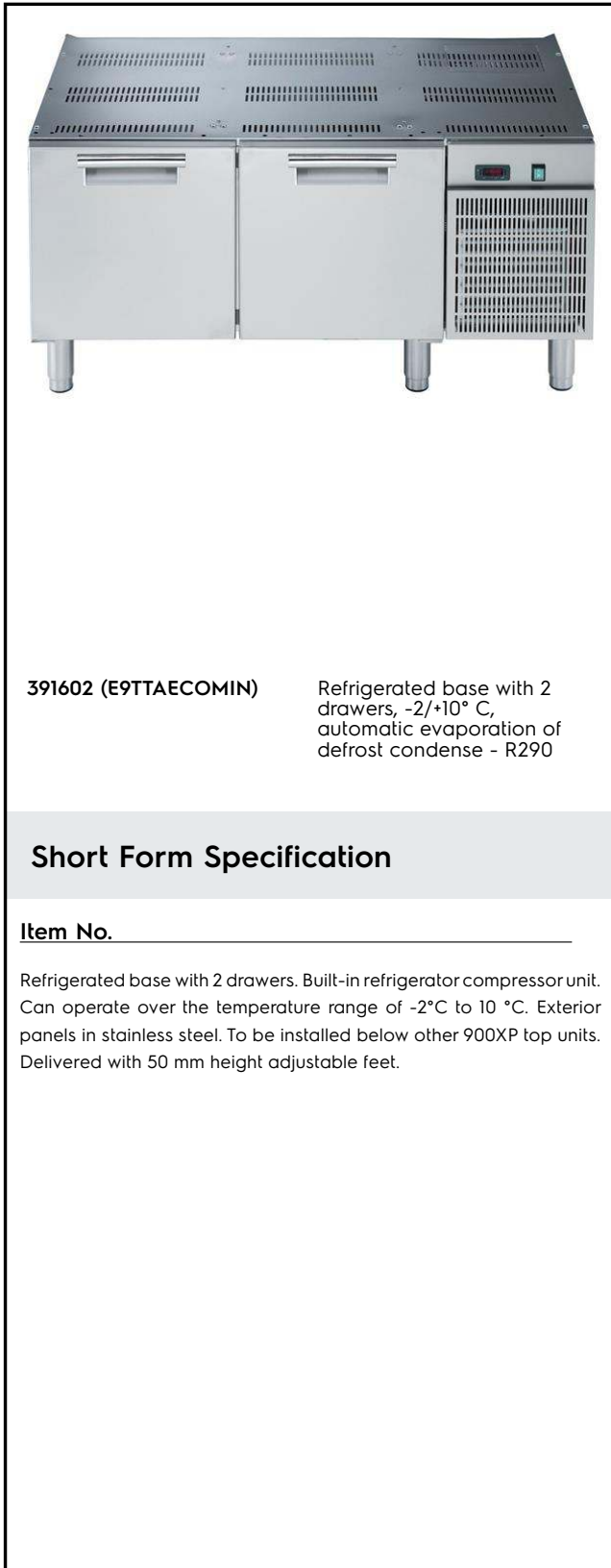
ITEM # \_\_\_\_\_

MODEL # \_\_\_\_\_

NAME # \_\_\_\_\_

SIS # \_\_\_\_\_

AIA # \_\_\_\_\_



391602 (E9TTAECOMIN)

Refrigerated base with 2 drawers, -2/+10° C, automatic evaporation of defrost condense - R290

### Short Form Specification

Item No. \_\_\_\_\_

Refrigerated base with 2 drawers. Built-in refrigerator compressor unit. Can operate over the temperature range of -2°C to 10 °C. Exterior panels in stainless steel. To be installed below other 900XP top units. Delivered with 50 mm height adjustable feet.

### Main Features

- Unit can be easily installed below other 900 line top models.
- Adjustable temperature range from -2 °C to +10 °C to suit meat, fish and dairy storage requirements.
- Forced air circulation for rapid cooling and an even temperature distribution.
- Defrosting and automatic evaporation of condense drain: the condense is automatically evaporated thanks to the electric resistance in the condense drain container.
- GN compliant.
- Designed for modular installation into the cooking block.

### Construction

- Constructed in Stainless steel with Scotch Brite finish to meet the highest hygiene standards.
- Built-in compressor to suit operating conditions.
- Access to all components from the front.
- Unit delivered with 150 mm height adjustable feet in Stainless steel. Feet can be extended up to 250 mm.

### Sustainability



- CFC and HCFC free (highly ecological refrigerant type: R290).

### Optional Accessories

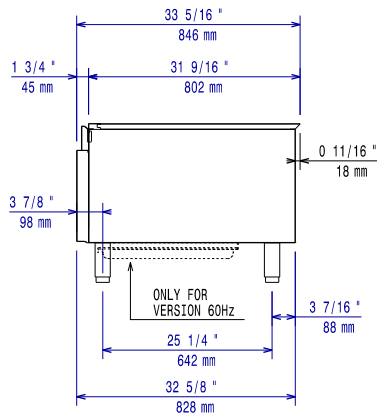
- Flanged feet kit PNC 206136
- Frontal kicking strip for concrete installation, 1200mm PNC 206151
- Frontal kicking strip, 1200mm (not for refr-freezer base) PNC 206178
- Rear paneling - 1200mm (700/900) PNC 206376
- Kit 3 base support for wheels PNC 206430
- Kit 6 wheels - 3 swivelling with brake PNC 206432

APPROVAL: \_\_\_\_\_

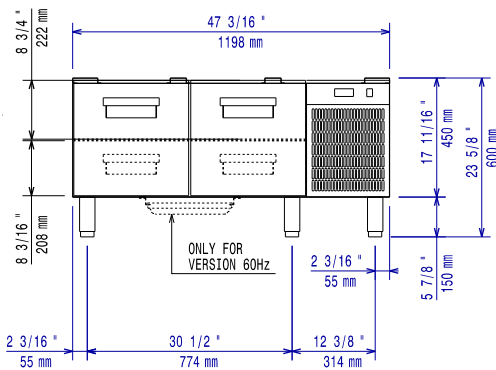


Experience the Excellence  
www.electroluxprofessional.com

Front

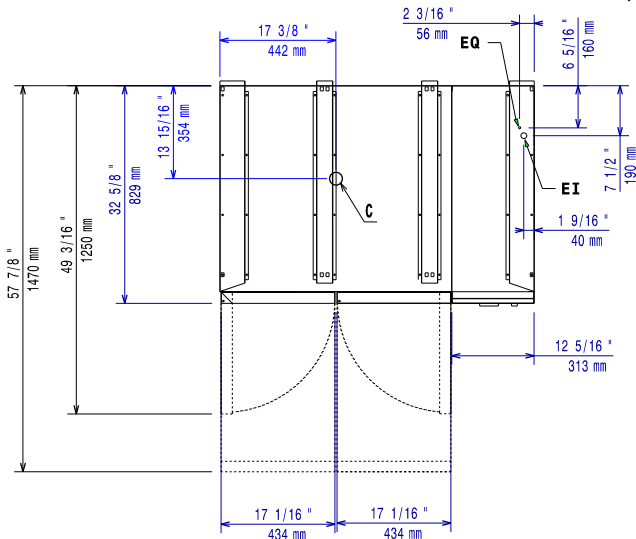


Side



EI = Electrical inlet (power)

Top



## Electric

### Supply voltage:

391602 (E9TTAECOMIN) 220-230 V/1N ph/50 Hz

### Electrical power max.:

0.44 kW

### Total Watts:

0.44 kW

## Key Information:

### Gross capacity:

140 lt

### External dimensions, Width:

1200 mm

### External dimensions, Depth:

830 mm

### External dimensions, Height:

600 mm

### Net weight:

114 kg

### Shipping weight:

123 kg

### Shipping height:

830 mm

### Shipping width:

1060 mm

### Shipping depth:

1300 mm

### Shipping volume:

 1.14 m<sup>3</sup>

## Refrigeration Data

### Compressor power:

## Sustainability

### Refrigerant type:

R290

### Refrigerant weight:

85 g